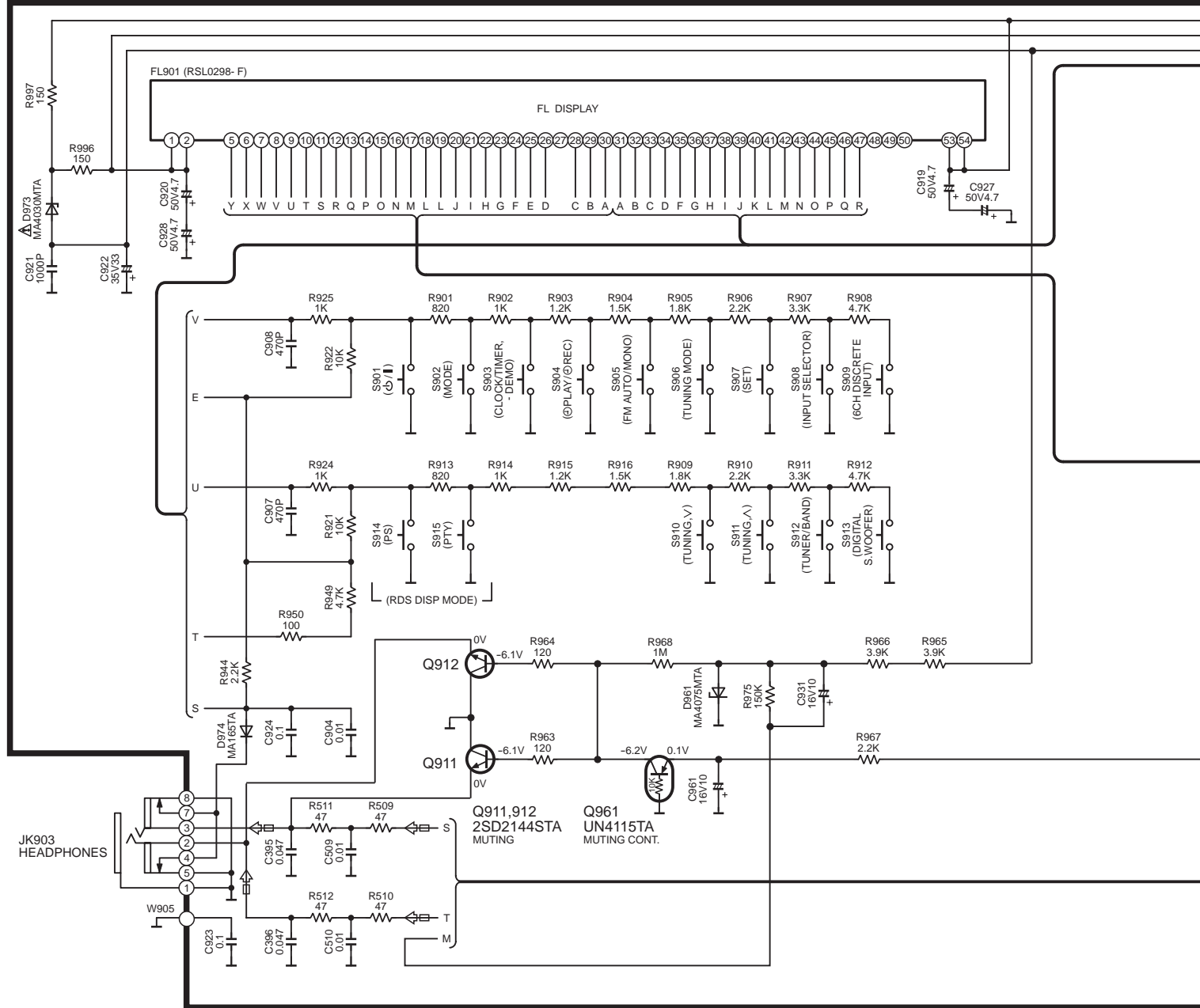


# SCHEMATIC DIAGRAM - 1

## A OPERATION CIRCUIT

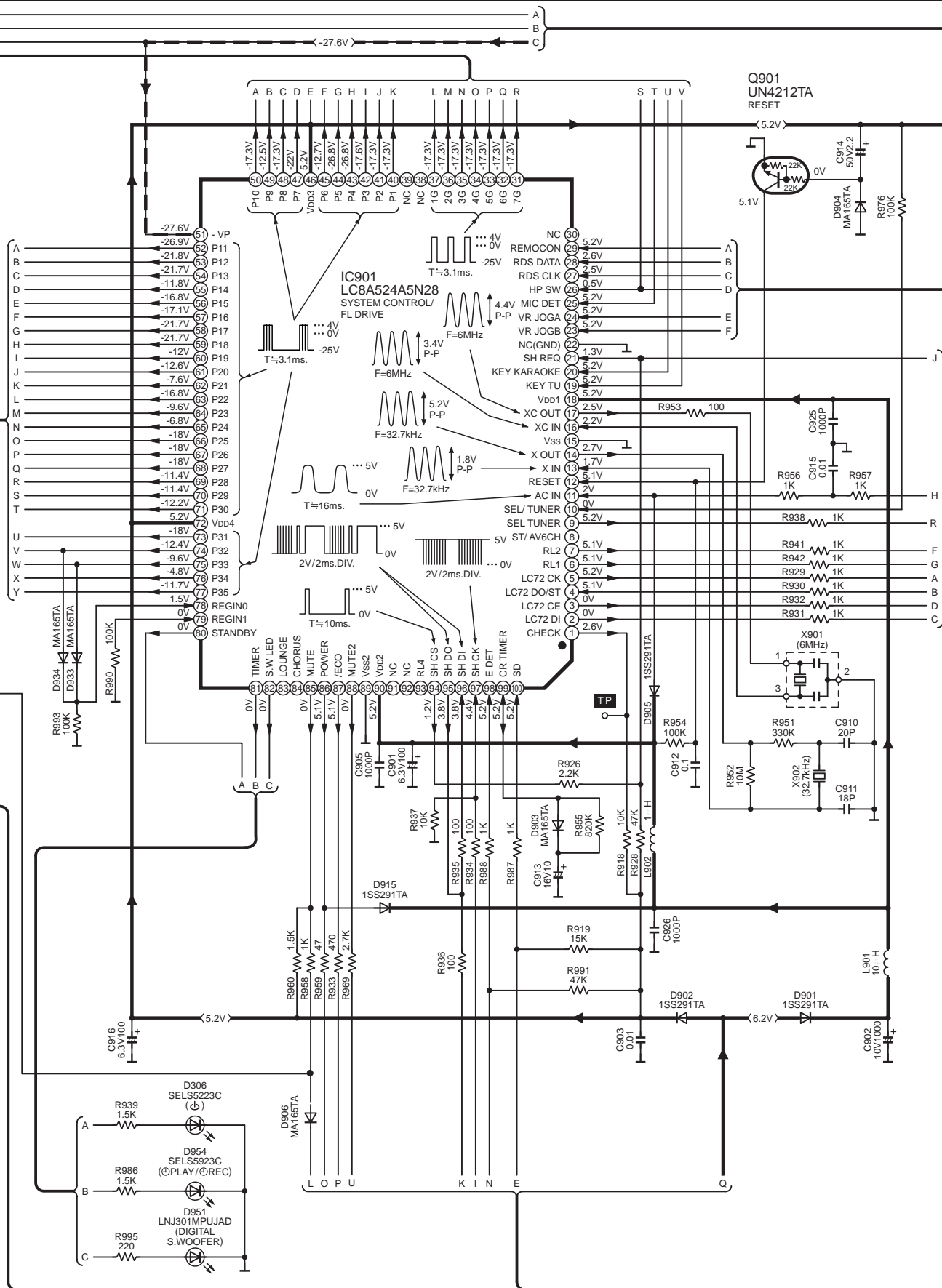
NOTE: The number which noted at the connectors on the schematic diagram as "SCHEMATIC DIAGRAM-1" or "SCHEMATIC DIAGRAM-2" indicates the schematic diagram serial number located on the left corner in the schematic diagram.

◻ : SOURCE SIGNAL LINE



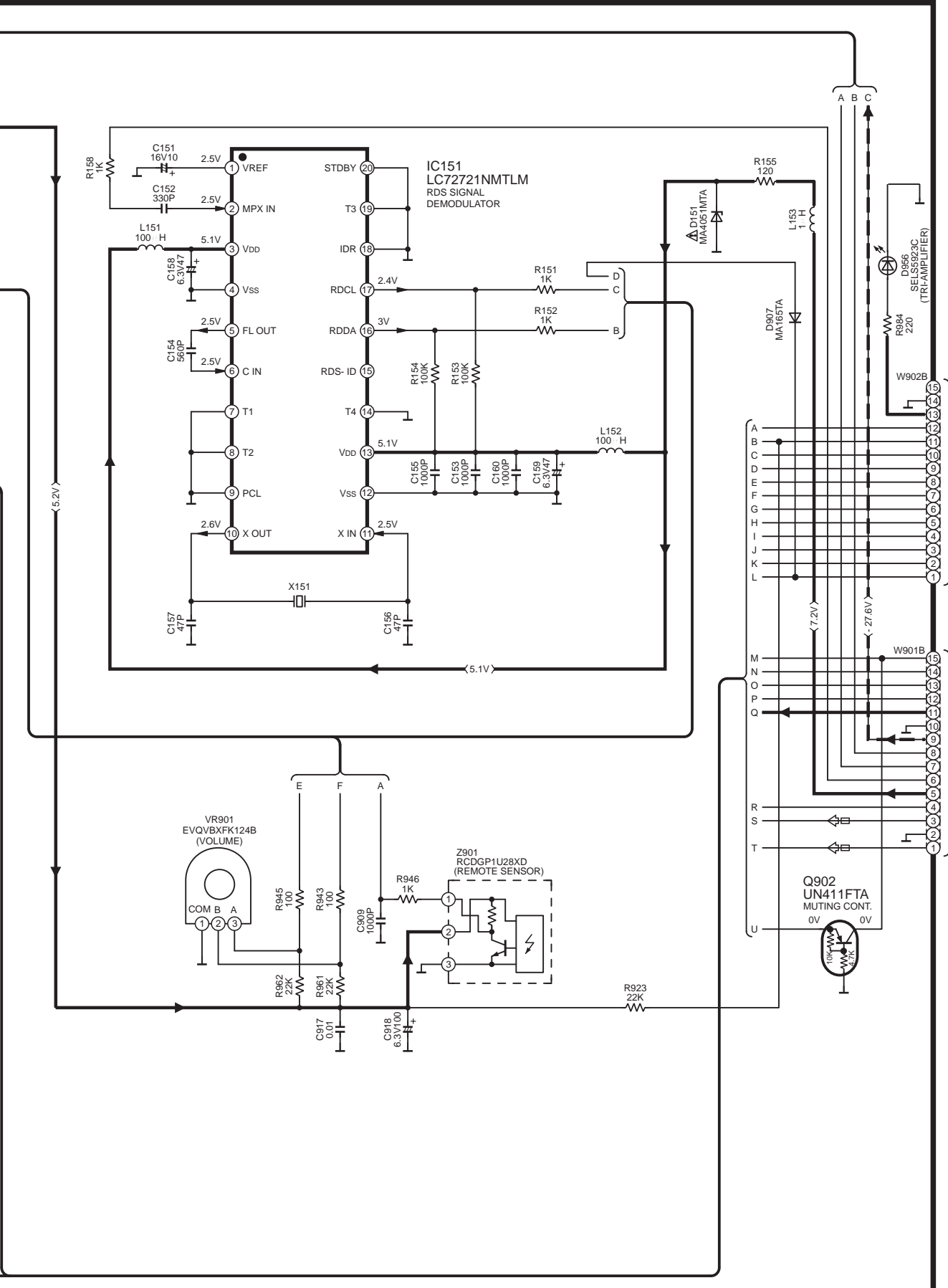
SCHEMATIC DIAGRAM- 2

—▶— : POSITIVE VOLTAGE LINE  
 - -▶- : NEGATIVE VOLTAGE LINE



**SCHEMATIC DIAGRAM-3**  
**A OPERATION CIRCUIT**

—▶— : POSITIVE VOLTAGE LINE  
 —◀— : NEGATIVE VOLTAGE LINE  
 ◻◻ : SOURCE SIGNAL LINE

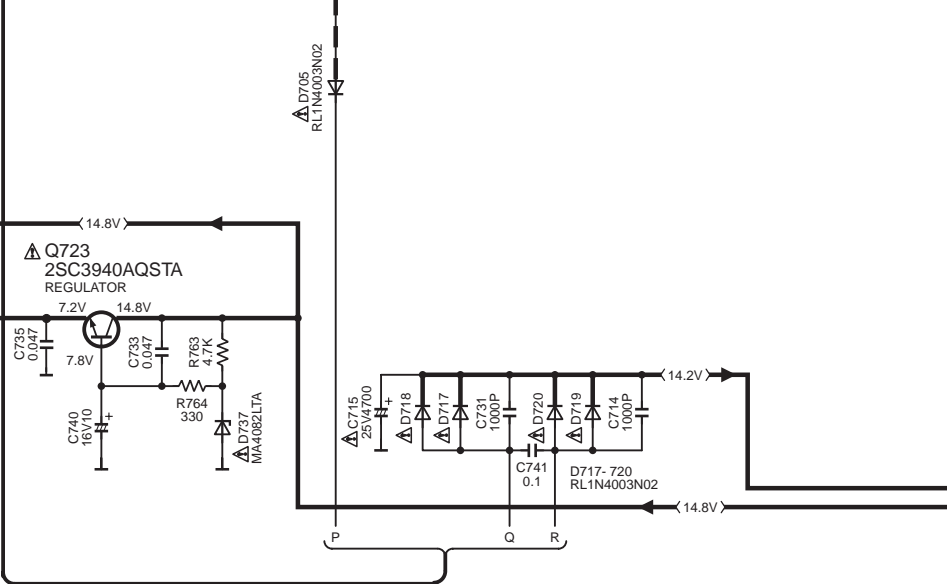
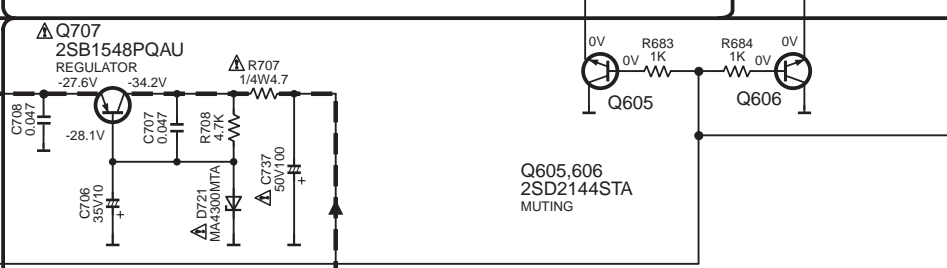
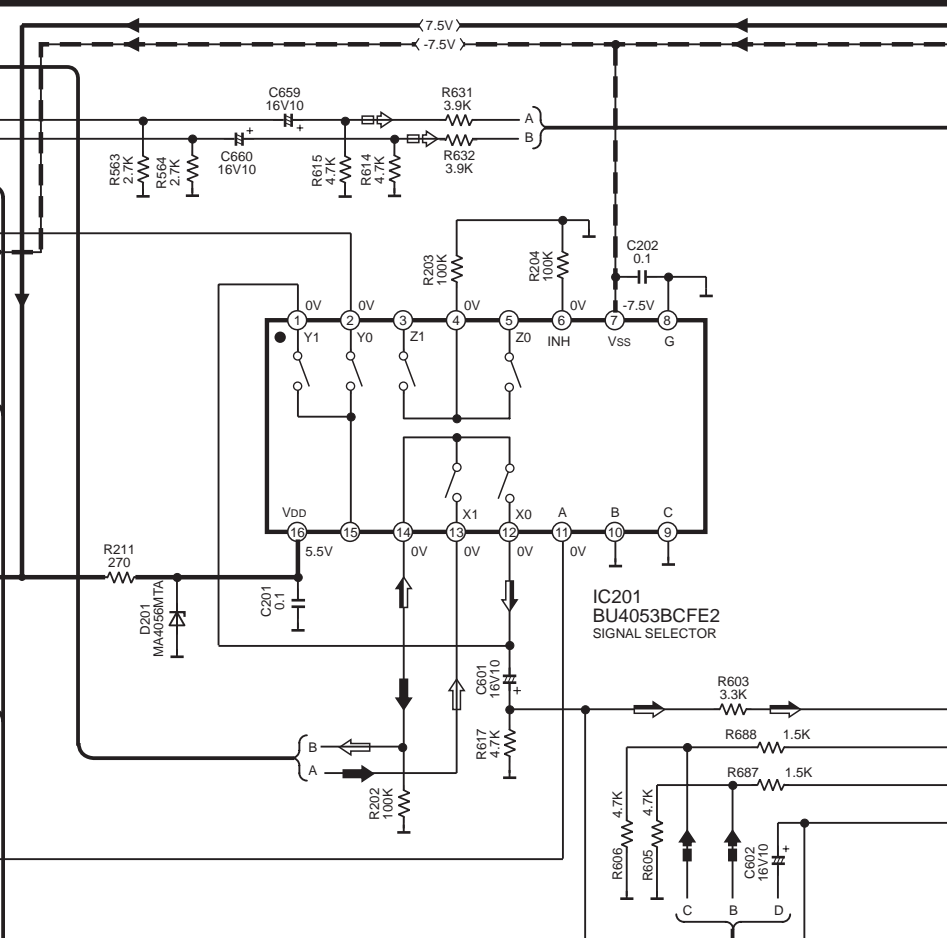
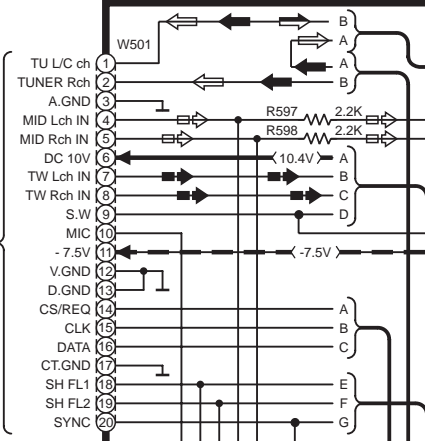


**SCHEMATIC DIAGRAM- 4**

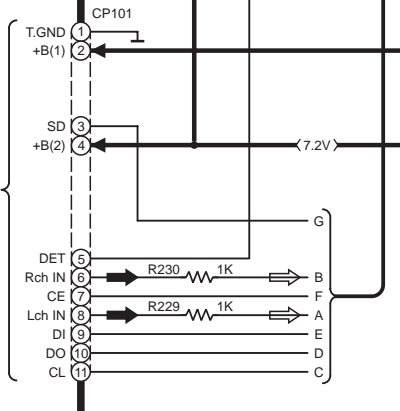
**B MAIN CIRCUIT**

——— : POSITIVE VOLTAGE LINE    ◁ : FM SIGNAL LINE    ◁ : SURROUND SP.DRIVE SIGNAL LINE  
 - - - : NEGATIVE VOLTAGE LINE    ▷ : AM SIGNAL LINE    ▷ : CENTER SP.DRIVE SIGNAL LINE    □ : SOURCE SIGNAL LINE

To MAIN CIRCUIT of SOUND PROCESSOR

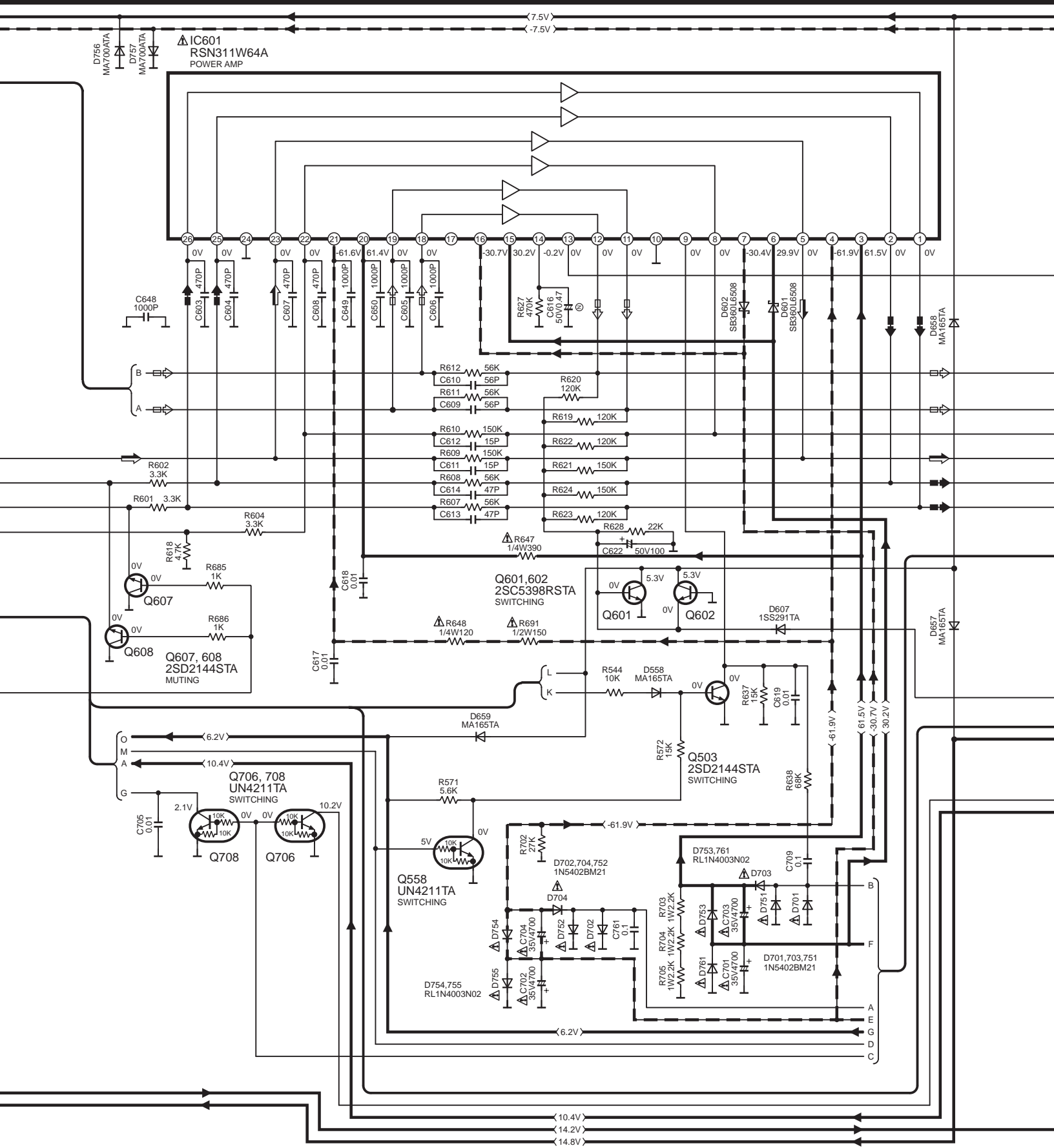


To TUNER UNIT on SCHEMATIC DIAGRAM- 9



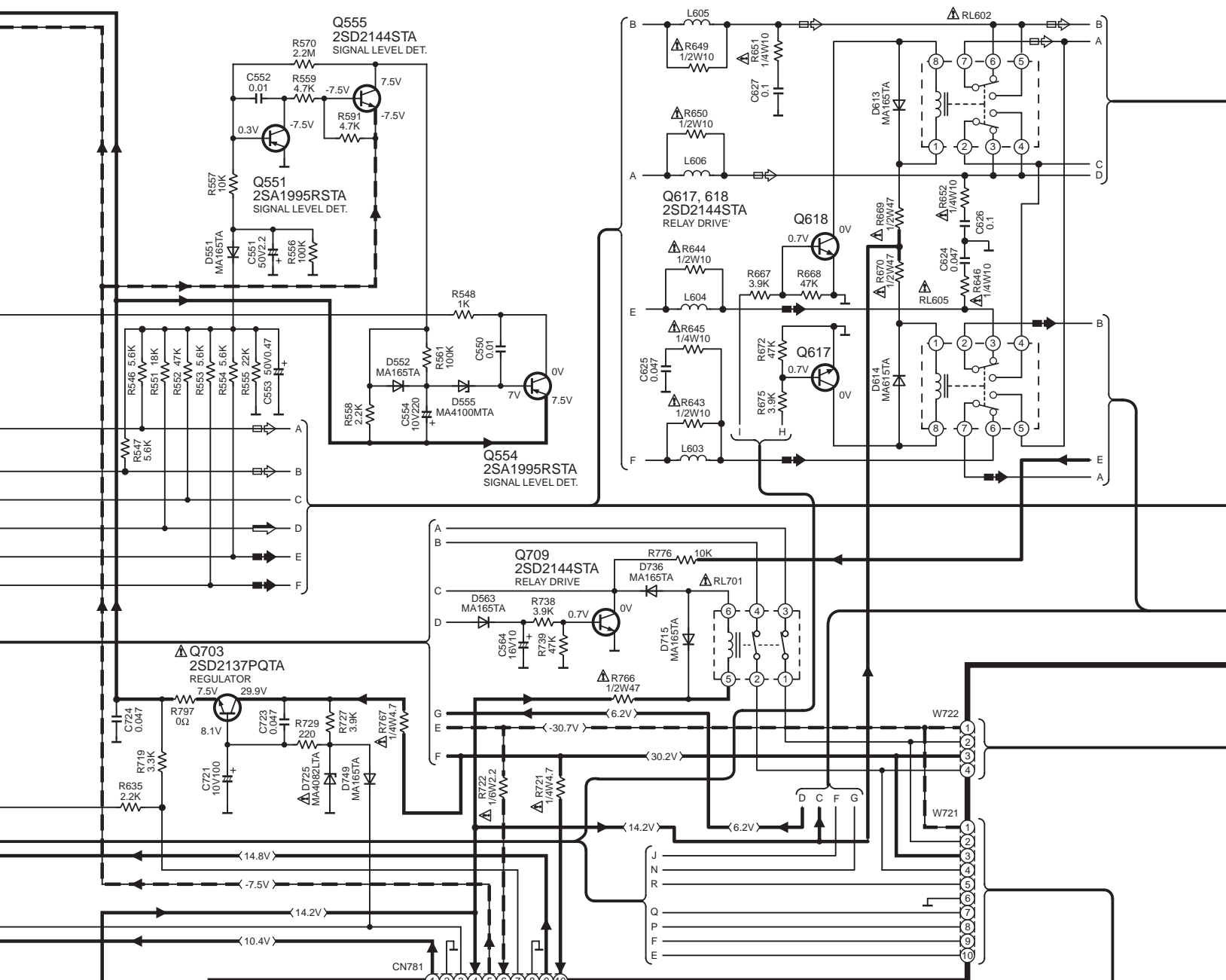
# SCHEMATIC DIAGRAM- 5

- : POSITIVE VOLTAGE LINE
- : NEGATIVE VOLTAGE LINE
- : CENTER SP.DRIVE SIGNAL LINE
- ▷ : SOURCE SIGNAL LINE

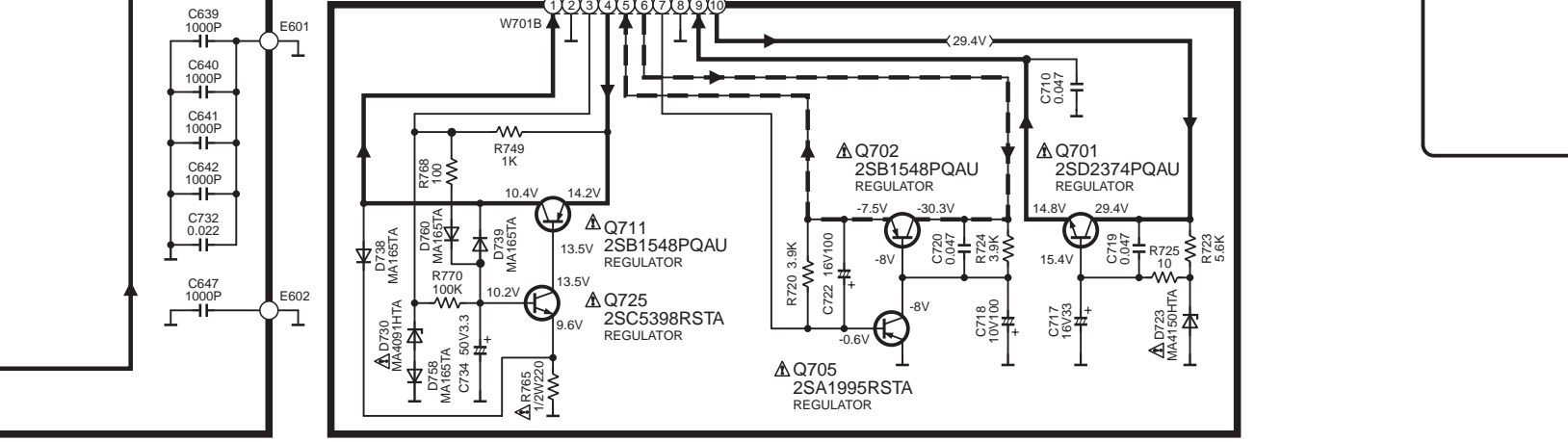


**B** MAIN CIRCUIT

→ : POSITIVE VOLTAGE LINE   
 → : NEGATIVE SP.DRIVE SIGNAL LINE   
 → : CENTER SP.DRIVE SIGNAL LINE   
 □ : SOURCE SIGNAL LINE



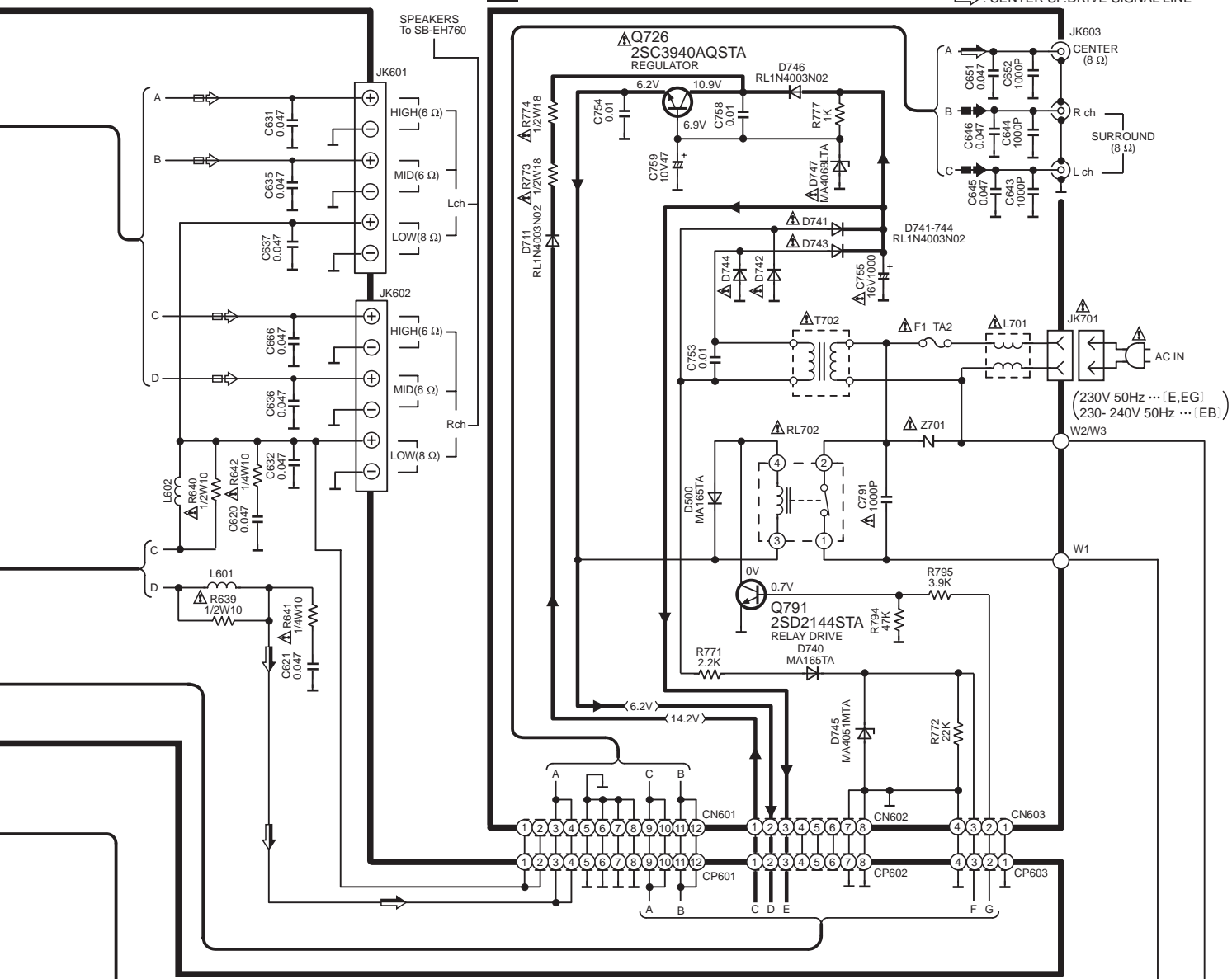
**C** POWER SUPPLY CIRCUIT



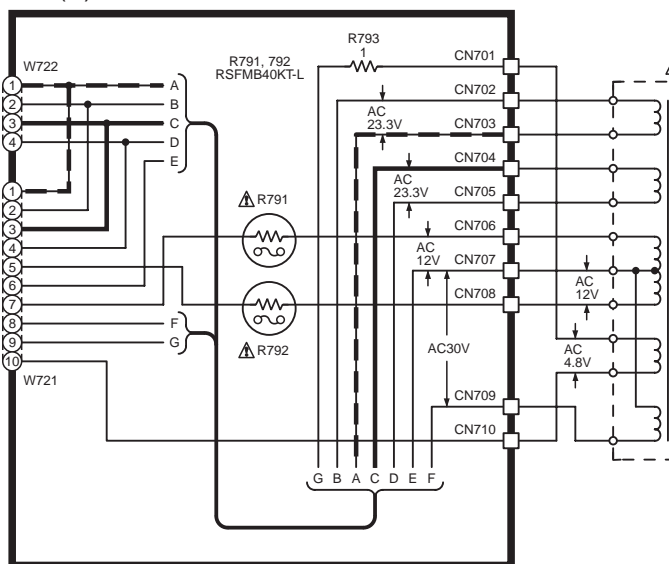
# SCHEMATIC DIAGRAM- 7

**D** AC IN CIRCUIT

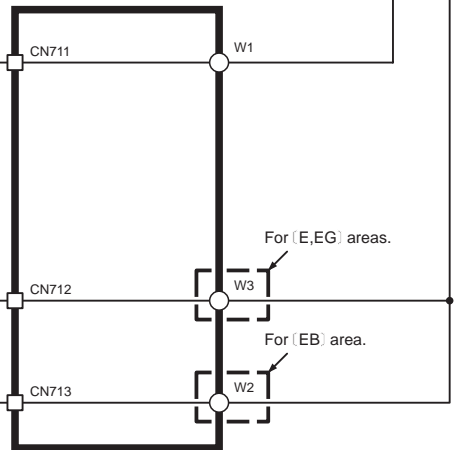
- : POSITIVE VOLTAGE LINE
- : NEGATIVE VOLTAGE LINE
- : SOURCE SIGNAL LINE
- : SURROUND SP.DRIVE SIGNAL LINE
- ⇄ : CENTER SP.DRIVE SIGNAL LINE



## E POWER TRANSFORMER (A) CIRCUIT



## F POWER TRANSFORMER (B) CIRCUIT



Z120 TUNER UNIT(RAN0005EM)

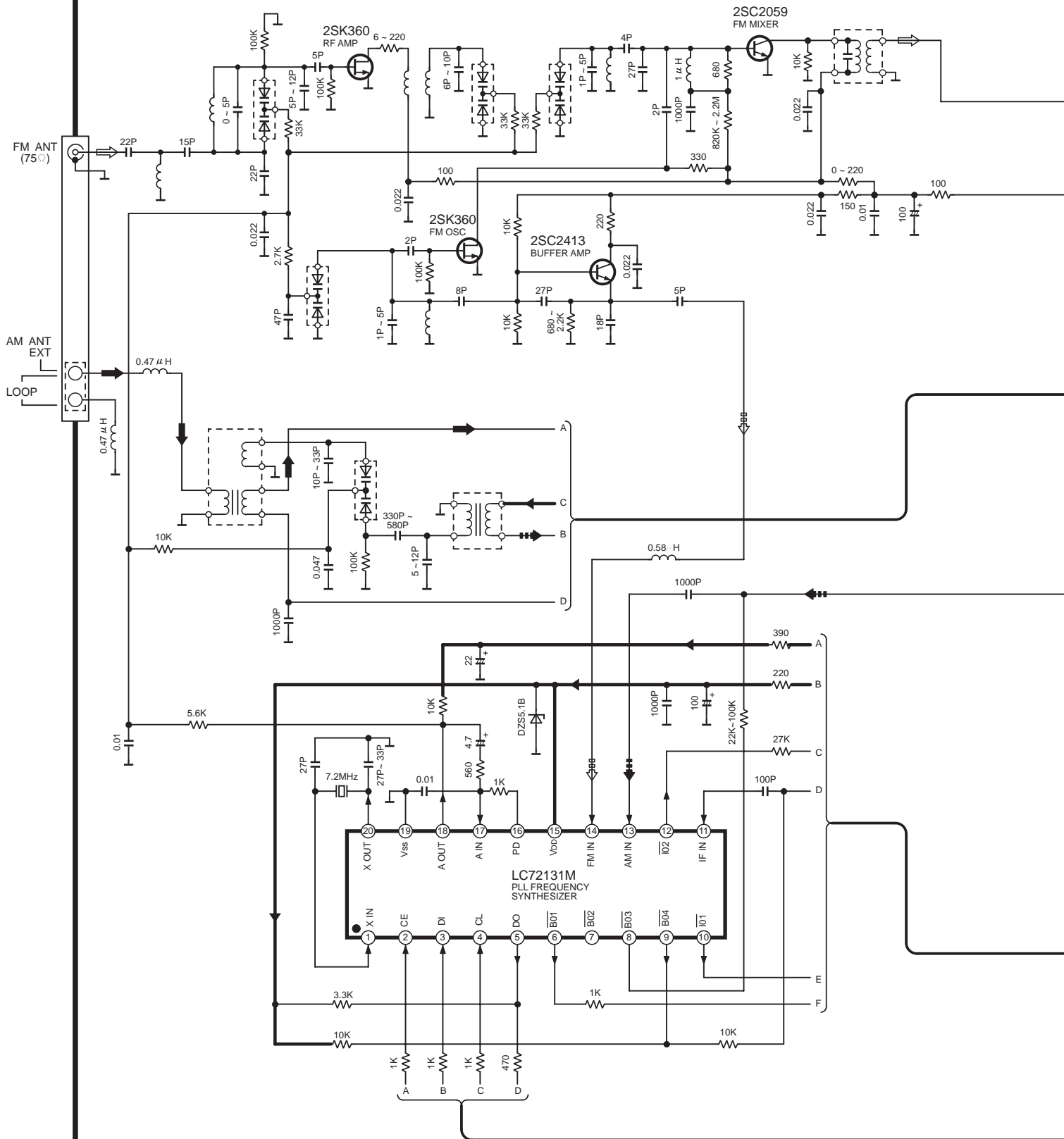
⇨ : FM SIGNAL LINE

➡ : AM SIGNAL LINE

➡ : POSITIVE VOLTAGE LINE

⇨ : FM OSC SIGNAL LINE

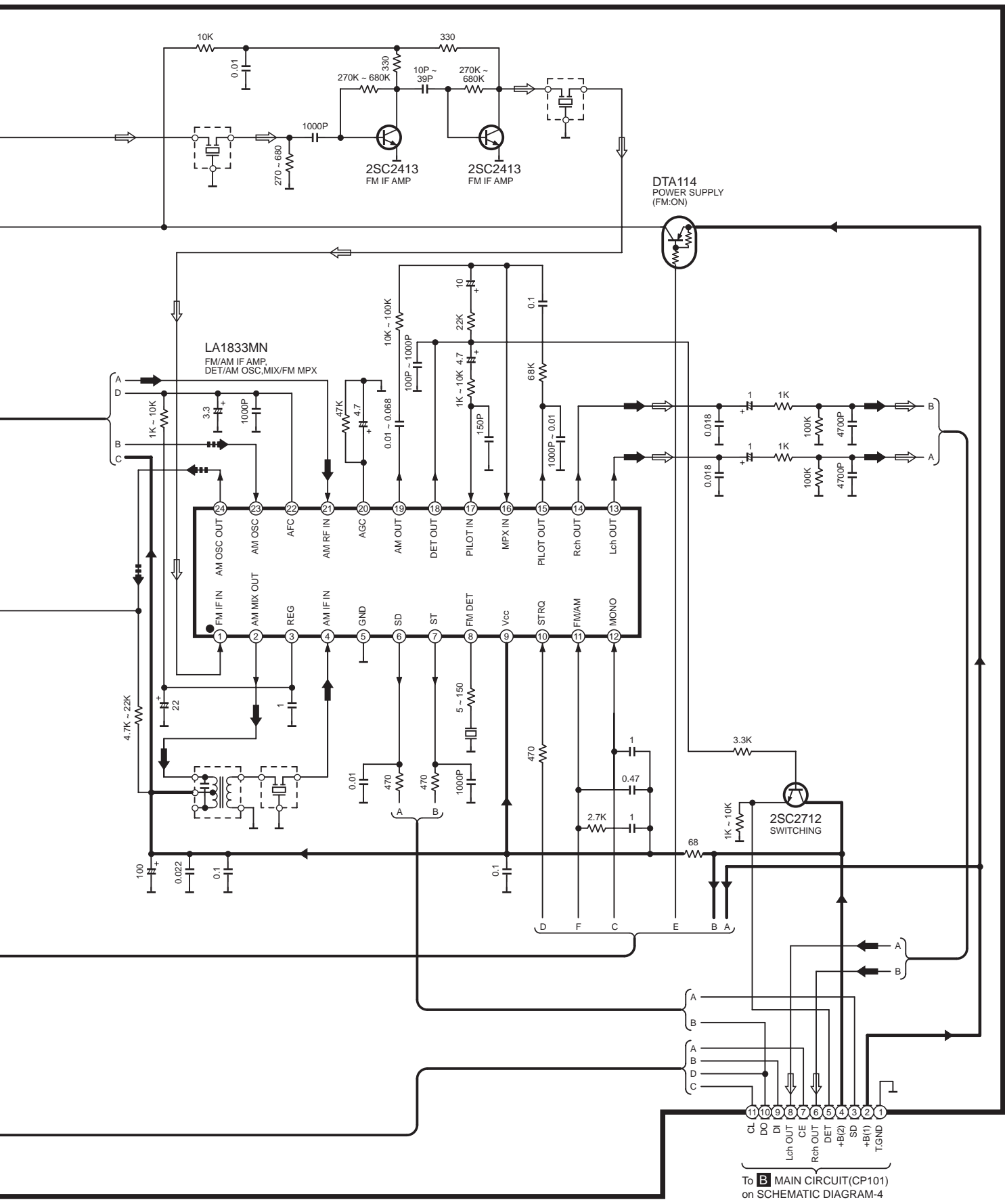
➡ : AM OSC SIGNAL LINE





SCHEMATIC DIAGRAM-9

→ : POSITIVE VOLTAGE LINE    ⇨ : FM SIGNAL LINE    ⇩ : AM SIGNAL LINE    ⇩⇩ : AM OSC SIGNAL LINE



To **B** MAIN CIRCUIT (CP101) on SCHEMATIC DIAGRAM-4